

Condensing Unit

Technical Data Sheet

Model CML90TB3N
Voltage 220-240V 50Hz ~1
Refrigerant R404A

APPLICATION		COMPRESSOR		MOTOR	
Application	High Medium Back Pressure	Displacement	8,86 cm ³	Approximate Power	3/8 hp
Refrigerant	R404A	Diameter	25,40 mm	Voltage/Frequency	220-240V 50Hz
Evaporating temp.	-25°C to 10°C	Stroke	17,47 mm	Voltage range	187-264 V
Expansion	Capillar / Valve	Oil type	ISO VG 32 ESTER	Type	CSIR
Comp. Cooling	Fan cooled	Oil charge	400 cm ³	Phase number	1 PH
Max. Ambient temp.	43,00°C				

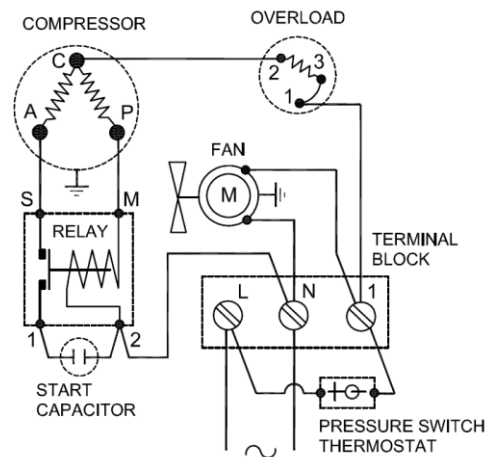
NOMINAL PERFORMANCE	ASHRAE
Cooling Capacity (W)	1301
COP (W/W)	1.85
EER (kcal/Wh)	1.59
Input Power (W)	702
Current (A)	2.99

TEST CYCLE CONDITIONS	HMBP (D)
Evaporating temp. (°C)	7,2
Condensing temp. (°C)	55
Liquid temp. (°C)	46
Ambient temp. (°C)	35
Suction temp. (°C)	35
Tens/Freq (V/Hz)	220V 50Hz

CONDENSER DATA	
Condenser type	CU-AL
Condenser model	9T 4R
Fan Blade (Ø [mm] / °)	230 / 28
Fan motor	10W 230V 50/60Hz

ELECTRICAL DIAGRAM

CSIR



PERFORMANCES

REFRIGERATION CAPACITY (W)									
Evaporating Temperature (°C)									
Model	Motor	7.2				10			
		-25	-15	-5	5	W	Winp	A	10
CML90TB3N	CSIR	421	646	914	1226	1301	702	2.99	1399

Ashrae HMBP: Condensing temperature: 55°C, Liquid temperature: 46°C, Suction temperature: 35°C, Ambient temperature: 35°C

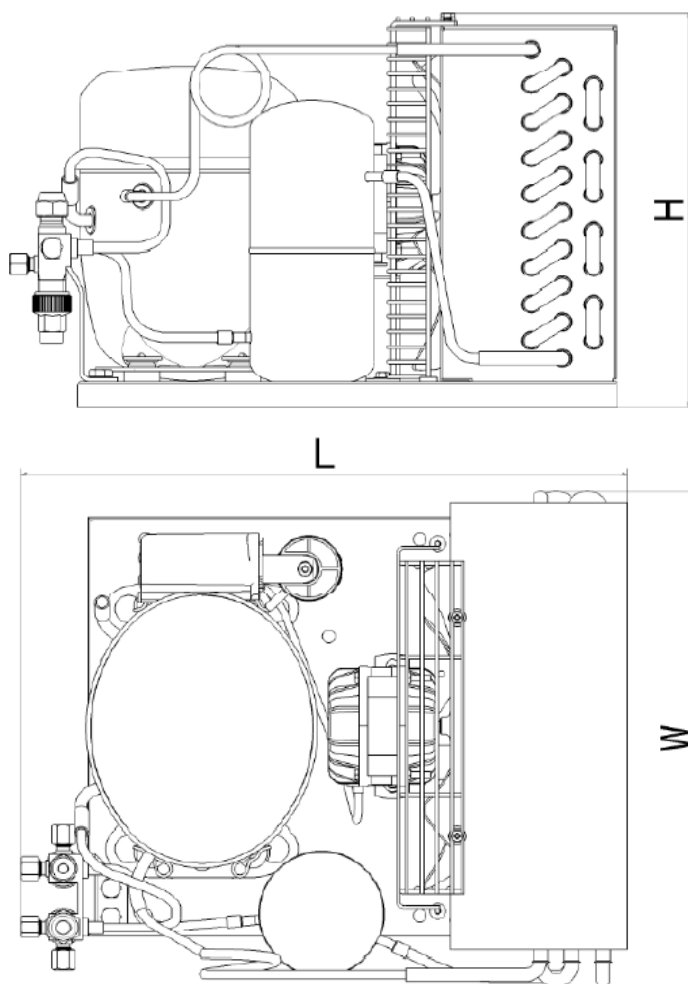
Condensing Unit Technical Data Sheet

VERSIONS

VERSION 3				
Service and receiver valve				
Receiver vol: 1,1l				
Suction valve: 3/8"				
Discharge valve: 3/8"				

DIMENSIONS

VERSION 3



VERSION	WxLxH (mm)
3	350 x 425 x 270